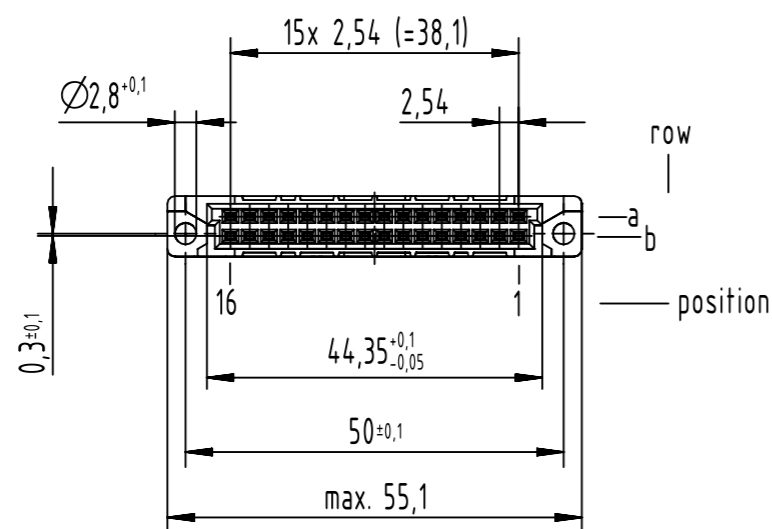
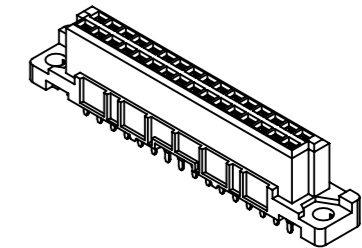
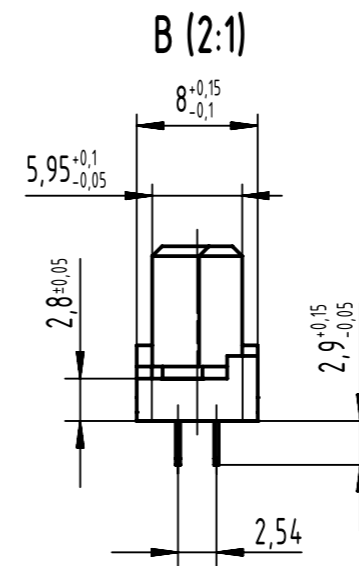
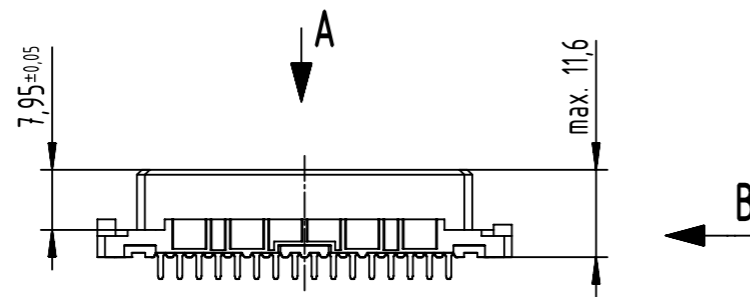


32 solder contacts

☒ = solder contact

□ = position without contact



only mateable with HARTING DIN NFF connector
further information see product data sheet

09 22 232 6824 222	2
part no.	performance level

	All Dimensions in mm Original Size DIN A3		Scale 1:1	Free size tol. complementary IEC 60603-2		Ref.	
	All rights reserved Department EL PD		Created by STORCK	Inspected by LEHNERT	Standardisation 302077	Date 2021-06-28	State Final Release
HARTING D-32339 Espelkamp		Title DIN Signal type 2B female solder str 2.9 32-pole NFF				Doc-Key / ECM-Nr. 100111900/UGD/029/C 500000196815	
		Type TB	Number 0922232X824222			Rev. C	Page 1/1